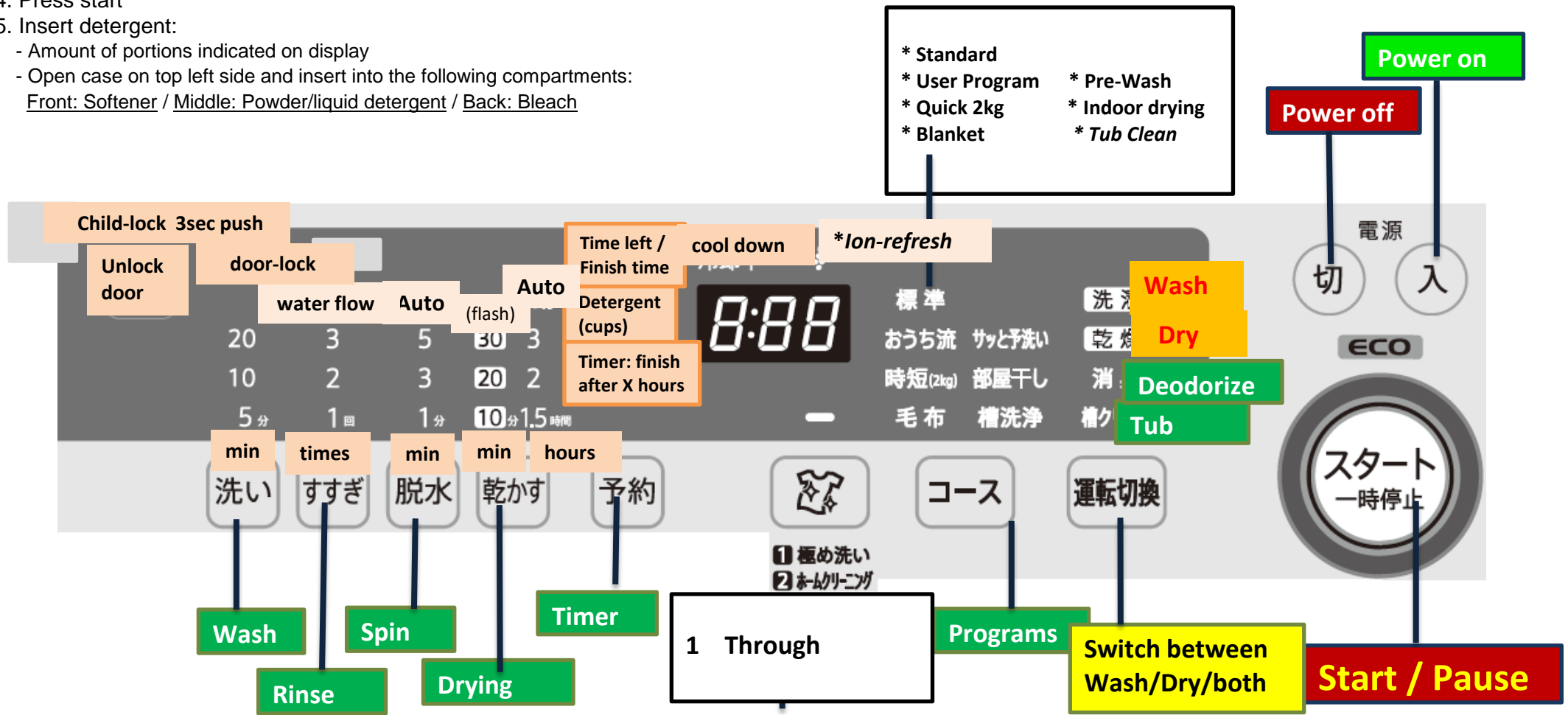


Washing Machine SHARP ES-H10B

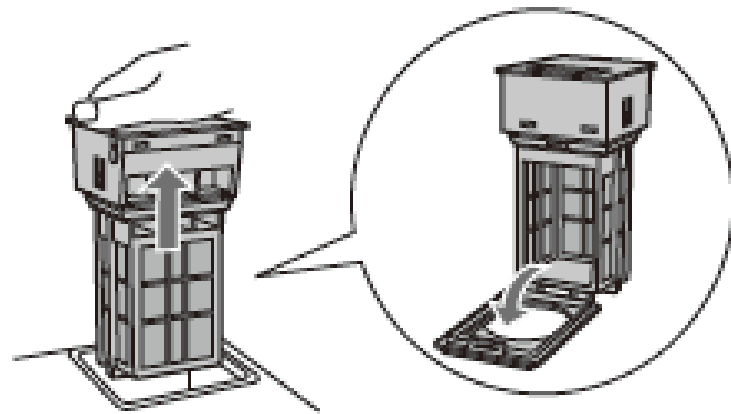
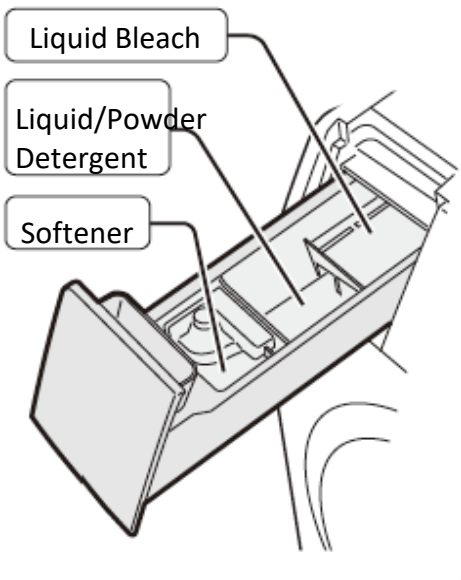
How to wash and dry:

1. Insert clothes
2. Power on
3. Press the switch button to choose between washing, drying or both. (Optional: Customize program)
4. Press start
5. Insert detergent:
 - Amount of portions indicated on display
 - Open case on top left side and insert into the following compartments:
Front: Softener / Middle: Powder/liquid detergent / Back: Bleach

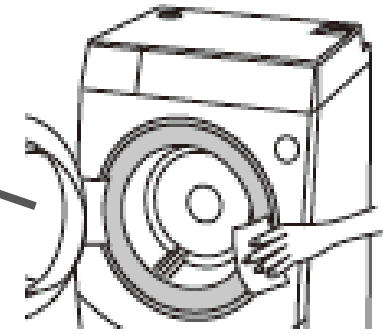
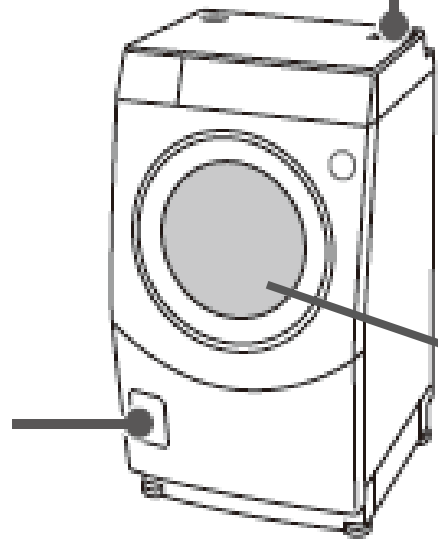
*Clean filters regularly
see back page



Detergent & Cleaning Instructions:



Water-drain filter:
Clean every 2 weeks
or if error **E03**



Door-packing: Wipe
everytime after washing

Warning: water may overflow when opening!