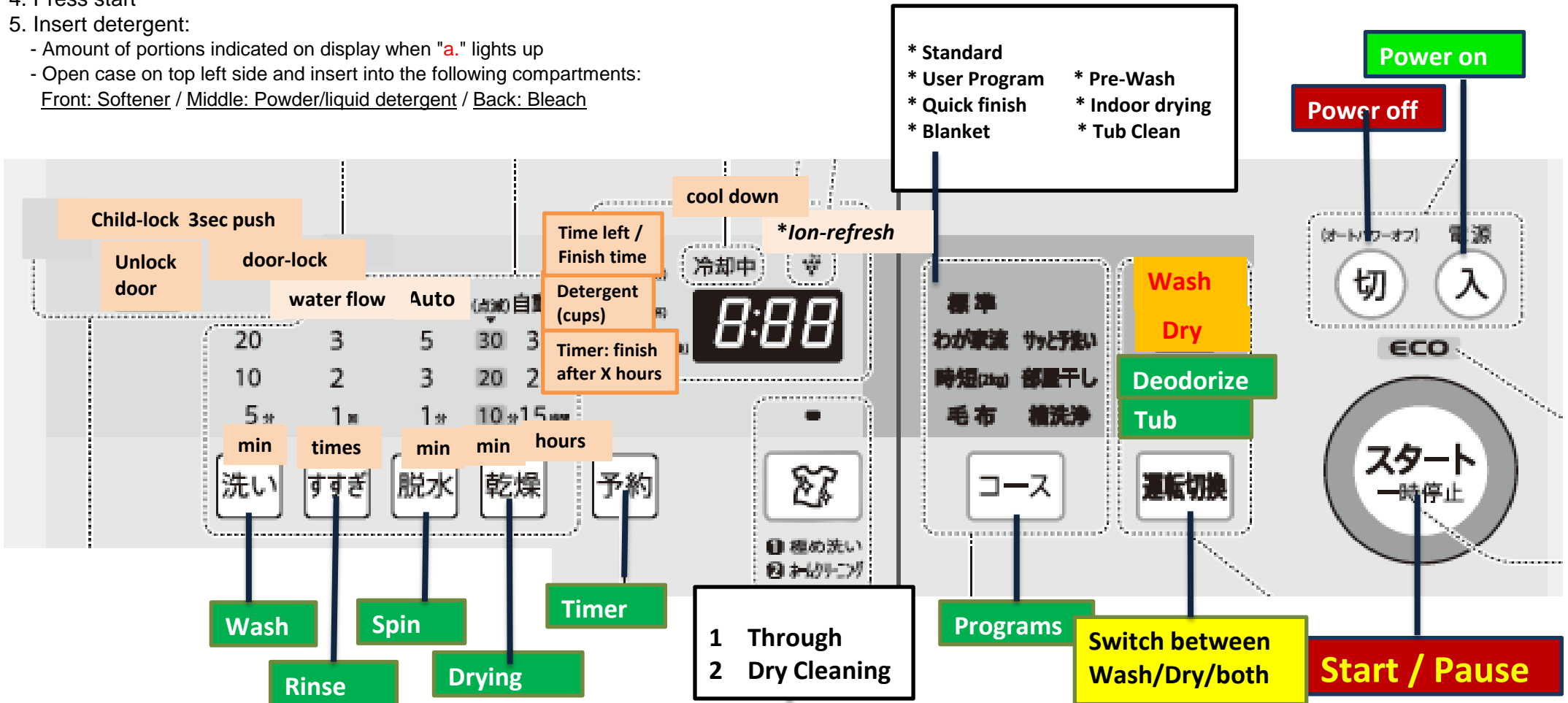


Washing Machine SHARP ES-ZH1-WL

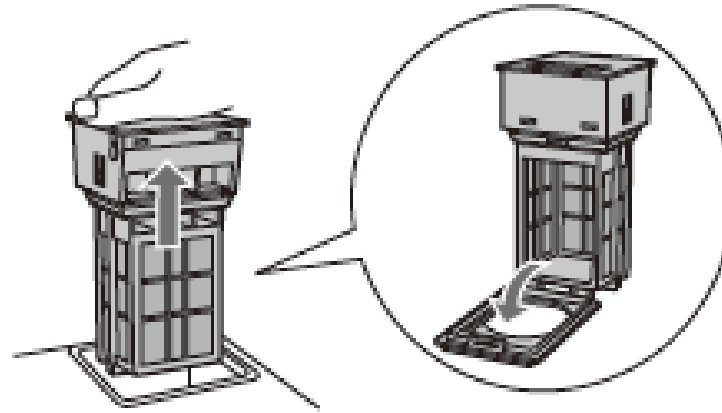
How to wash and dry:

1. Insert clothes
2. Power on
3. Press the switch button to choose between washing, drying or both. (Optional: Customize program)
4. Press start
5. Insert detergent:
 - Amount of portions indicated on display when "a." lights up
 - Open case on top left side and insert into the following compartments:
Front: Softener / Middle: Powder/liquid detergent / Back: Bleach

*Clean filters regularly
see back page

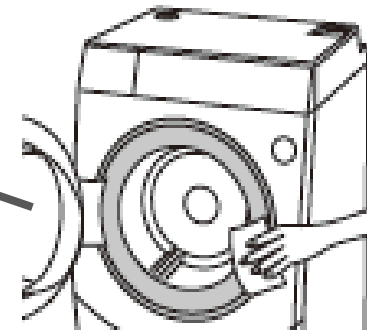
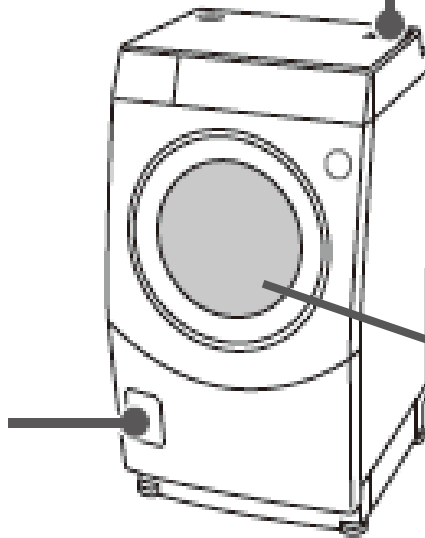
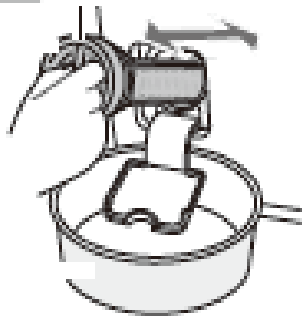


Cleaning Instructions:



Drying filter: Clean
everytime after drying
or if error **E04**

Water-drain filter:
Clean every 2 weeks
or if error **E03**



Door-packing: Wipe
everytime after washing

Warning: water may overflow when opening!